

POW

POW.sch

RAW\_CORE

RAW\_CORE.sch

WAVESHAPER

WAVESHAPE.sch

RAW\_CORE\_2

RAW\_CORE\_2.sch

WAVESHAPE\_2

WAVESHAPE\_2.sch

Sheet: /  
File: small\_vco.sch

**Title:**

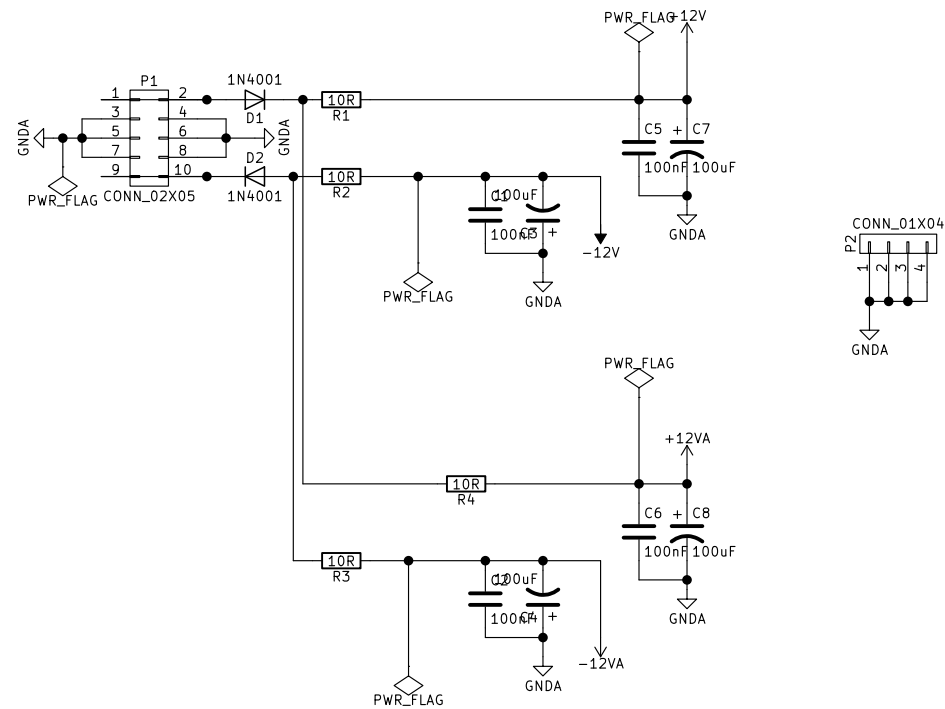
Size: A4

Date:

KiCad E.D.A. kicad 4.0.5

**Rev:**

Id: 1/6



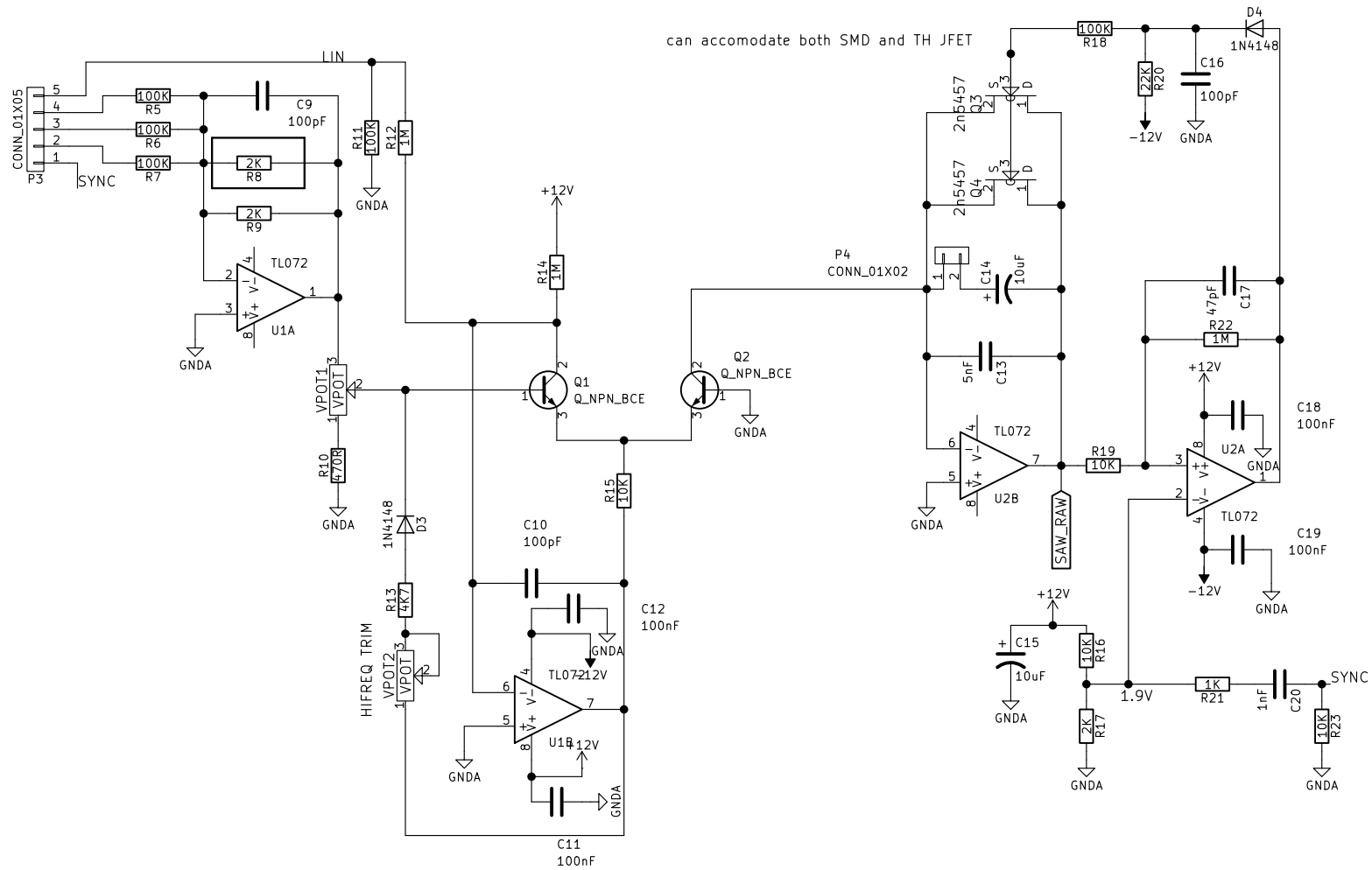
Sheet: /POW/  
 File: POW.sch

**Title:**

Size: A4  
 KiCad E.D.A. kicad 4.0.5

Date:

Rev:  
 Id: 2/6



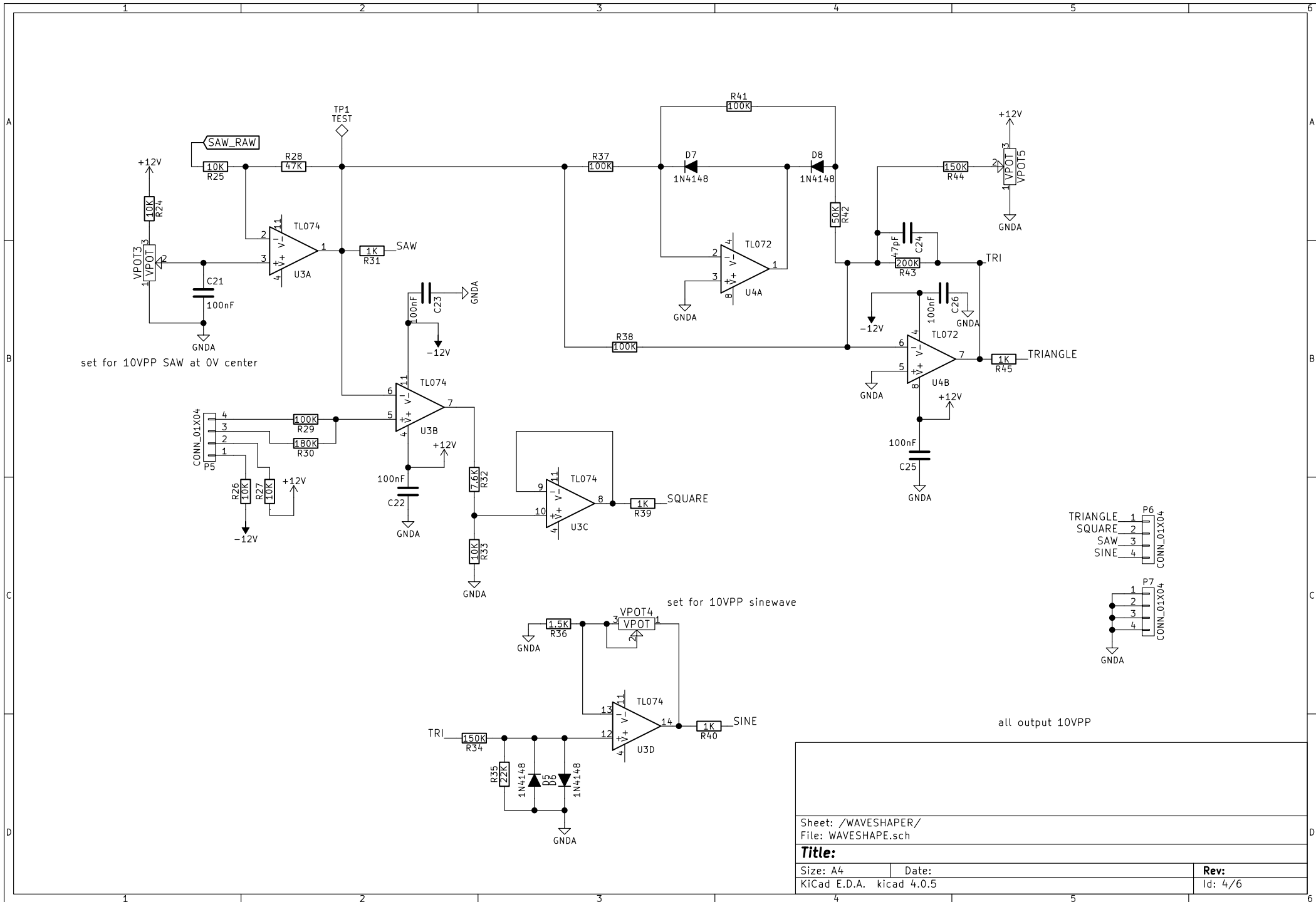
Sheet: /RAW\_CORE/  
File: RAW\_CORE.sch

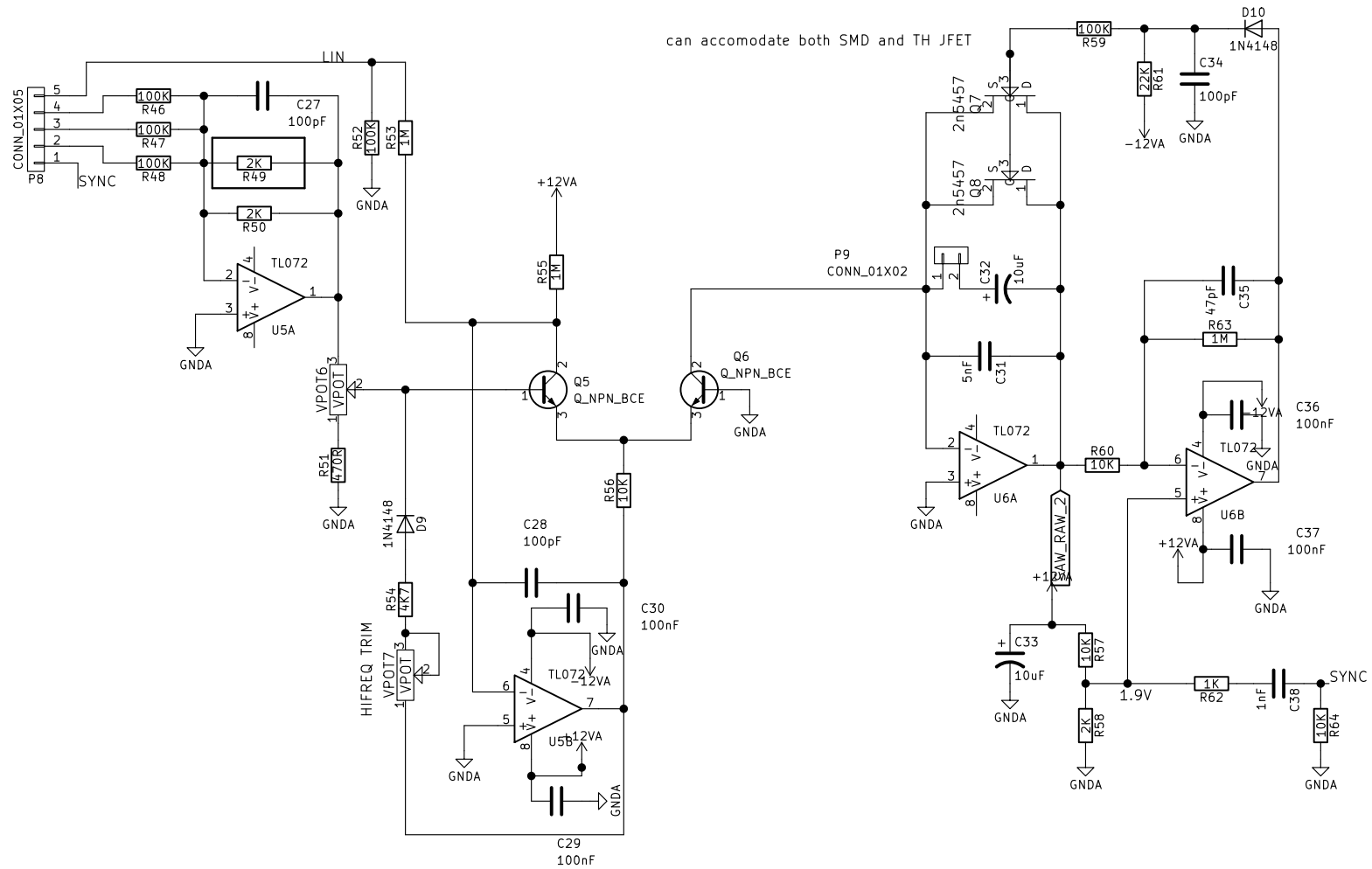
**Title:**

Size: A4  
KiCad E.D.A. kicad 4.0.5

Date:

**Rev:**  
Id: 3/6





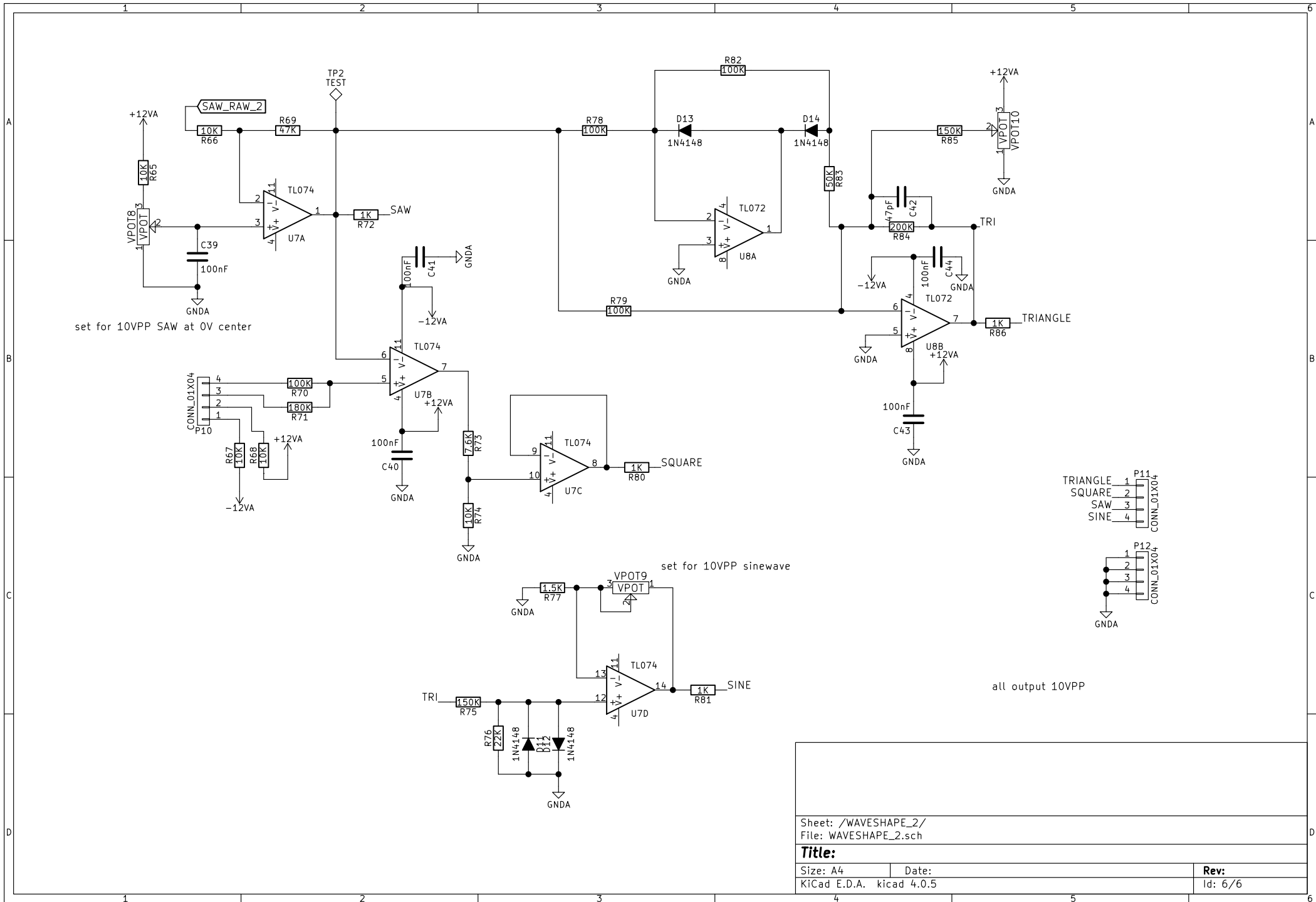
Sheet: /RAW\_CORE\_2/  
 File: RAW\_CORE\_2.sch

**Title:**

Size: A4  
 KiCad E.D.A. kicad 4.0.5

Date:

**Rev:**  
 Id: 5/6



Sheet: /WAVESHape_2/	
File: WAVESHape_2.sch	
<b>Title:</b>	
Size: A4	Date:
KiCad E.D.A. kicad 4.0.5	Rev: Id: 6/6