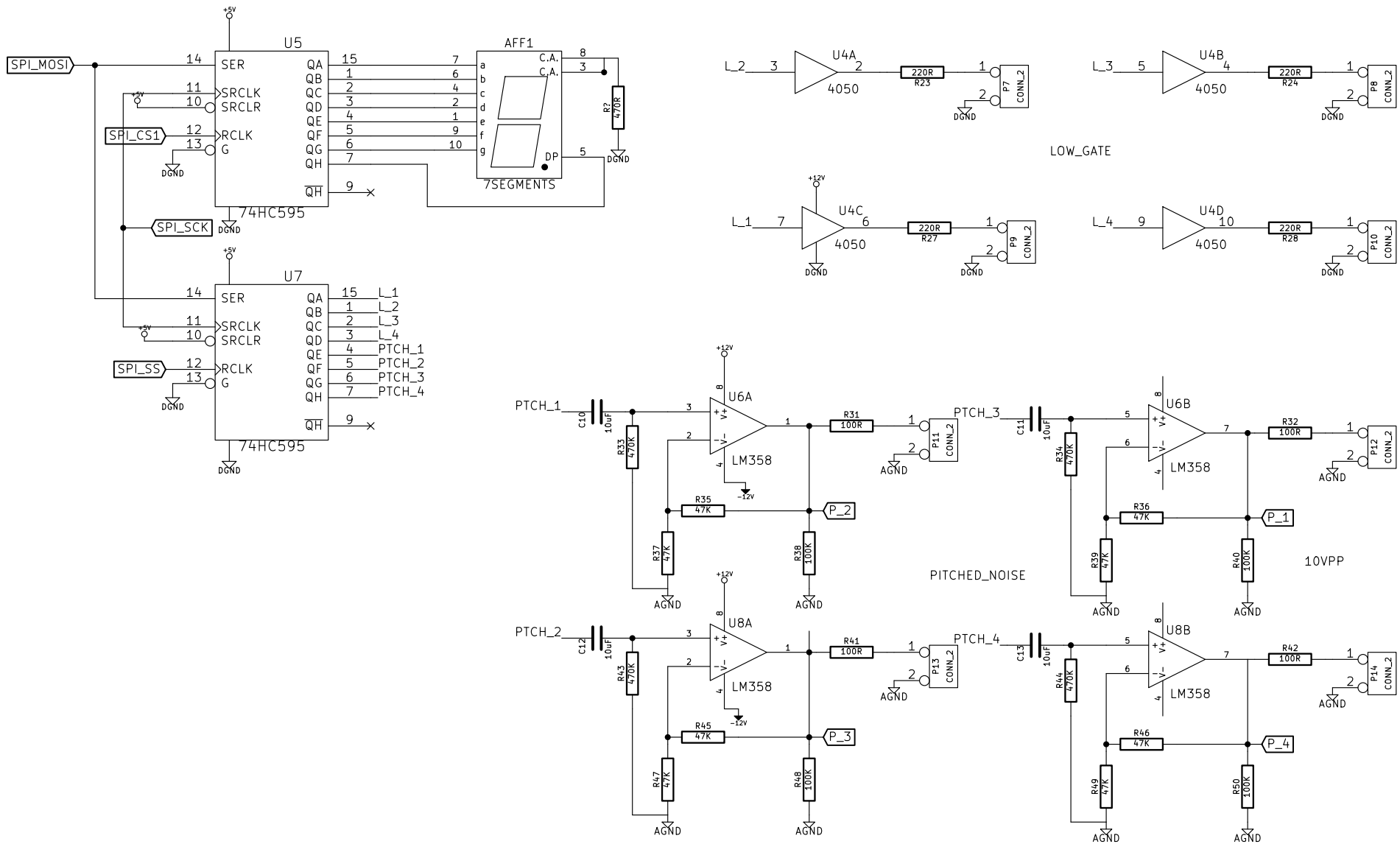


File: robotnik.sch		Rev:	
Sheet: /		Date: 10 nov 2015	
Title:		Id: 1/2	
Size: A4	Date: 10 nov 2015	Rev:	
KiCad E.D.A.		Id: 1/2	

robotnik visual
robotnik_visual.sch



File: robotnik_visual.sch	
Sheet: /robotnik_visual/	
Title:	
Size: A4	Date: 10 nov 2015
KiCad E.D.A.	Rev: 2/2