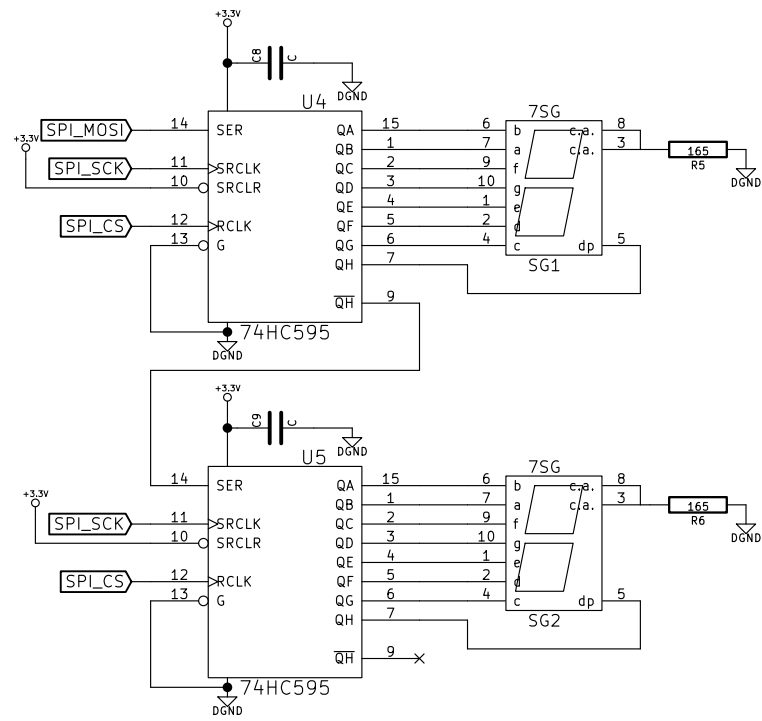


Sheet: /	
File: mid_controller.sch	
Title:	
Size: A4	Date: 25 nov 2016
KiCad E.D.A. kicad 4.0.5	Rev: 1/2



Sheet: /visual.sch/
File: visual.sch

Title:

Size: A4 Date: 25 nov 2016
KiCad E.D.A. kicad 4.0.5

Rev:
Id: 2/2