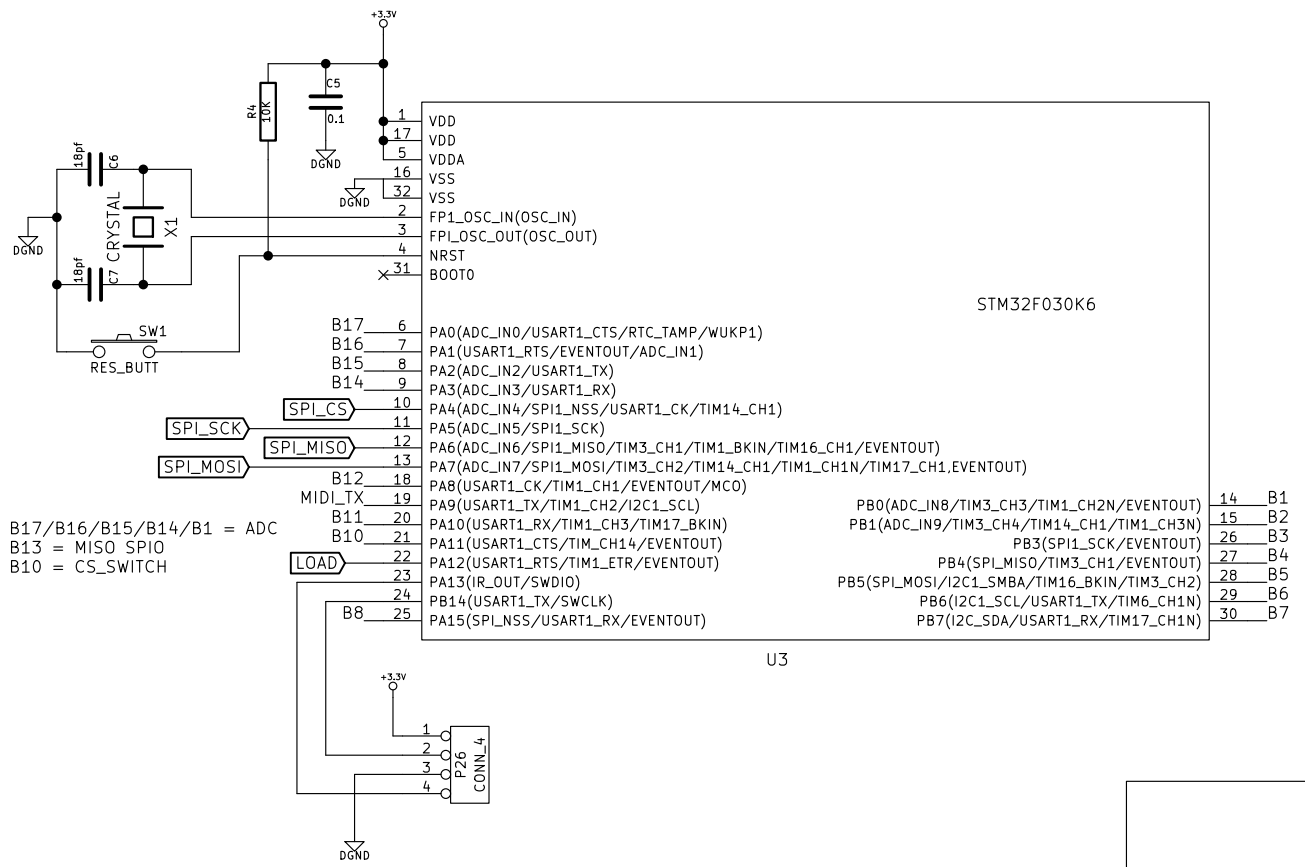


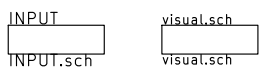
CONNECTOR TO BUTTONS

- P9 ○ B1
- P10 ○ B2
- P12 ○ B3
- P14 ○ B4
- P16 ○ B5
- P18 ○ B6
- P20 ○ B7
- P22 ○ B8
- P24 ○ B9
- P25 ○ B10
- P11 ○ B11
- P13 ○ B12
- P15 ○ B13
- P17 ○ B14
- P19 ○ B15
- P21 ○ B16
- P23 ○ B17

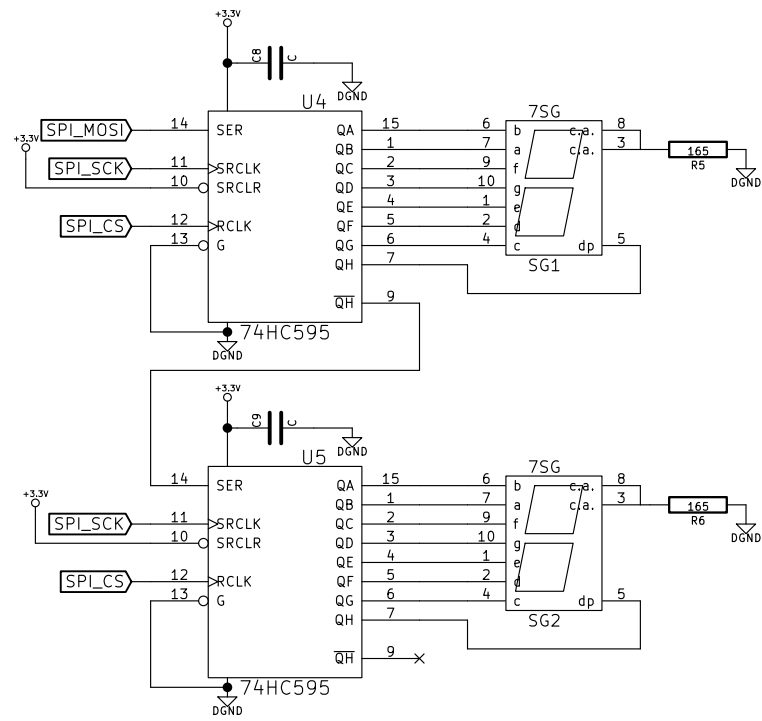
B13->B17 can be ADC input
 on the shift register_in :
 13 button -> octave
 2 button -> octave+ / octave-



B17/B16/B15/B14/B1 = ADC
 B13 = MISO SPI0
 B10 = CS_SWITCH



Sheet: /		Date: 25 nov 2016	
File: mid_controller.sch		Rev:	
Size: A4	KiCad E.D.A. kicad 4.0.5		Id: 1/3

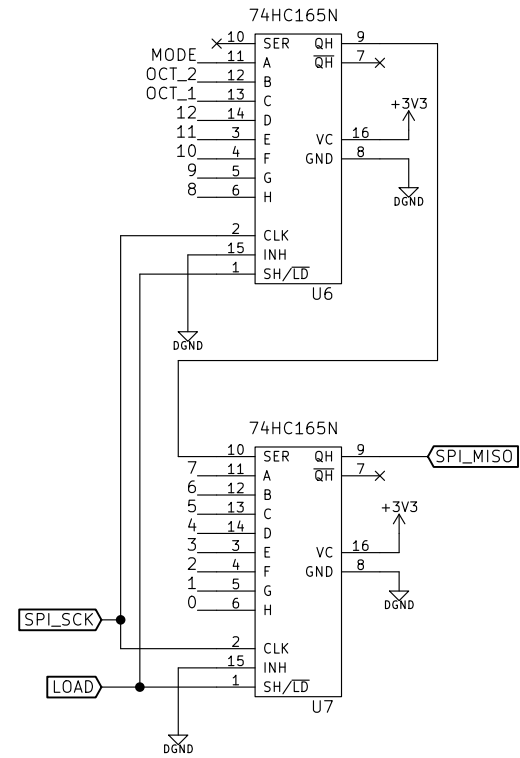
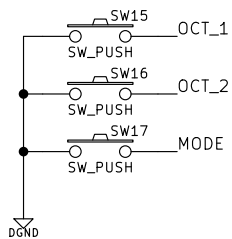
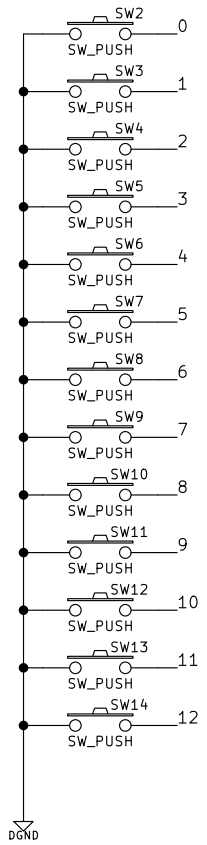


Sheet: /visual.sch/
File: visual.sch

Title:

Size: A4 Date: 25 nov 2016
KiCad E.D.A. kicad 4.0.5

Rev:
Id: 2/3



Sheet: /INPUT/
File: INPUT.sch

Title:

Size: A4

Date:

KiCad E.D.A. kicad 4.0.5

Rev:

Id: 3/3