

**ELECTRIC TONE**

Sheet: /  
File: wintermute\_2.sch

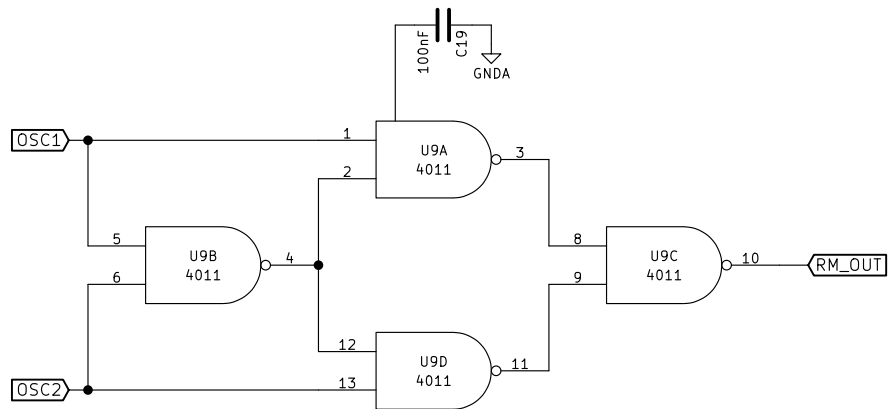
**Title: Wintermute**

Size: A4 Date: 2017-05-04  
KiCad E.D.A. kicad 4.0.5

**Rev: 1**  
Id: 1/3

RING\_MOD  
RING\_MOD.sch

FILTER  
FILTER.sch



**ELECTRIC TONE**

Sheet: /RING\_MOD/  
File: RING\_MOD.sch

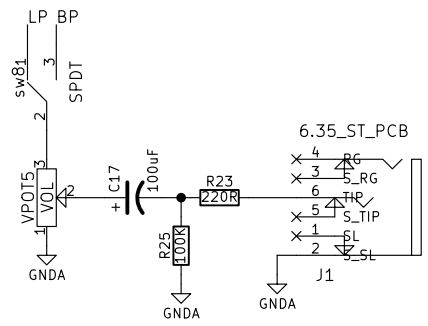
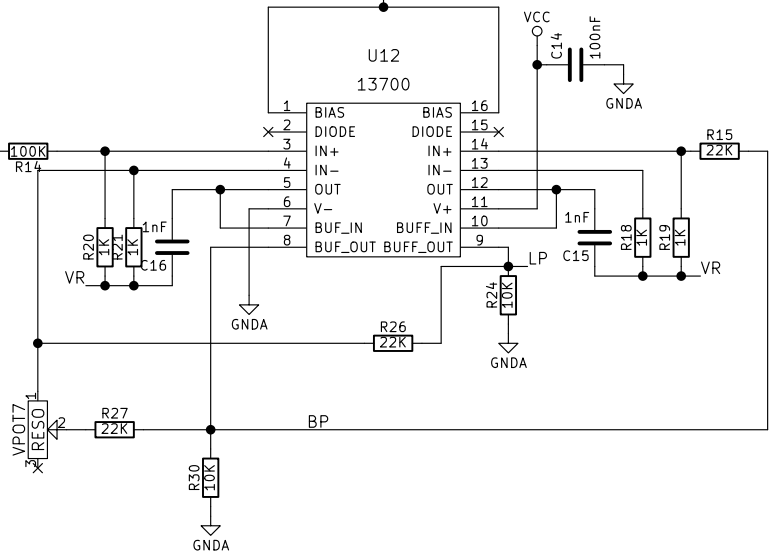
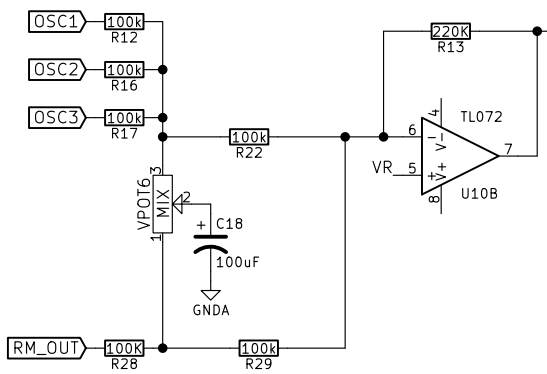
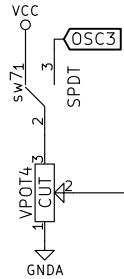
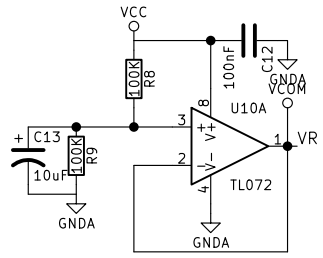
**Title: Wintermute**

Size: A4 Date: 2017-05-04

KiCad E.D.A. kicad 4.0.5

Rev:

Id: 2/3



<b>ELECTRIC TONE</b>	
Sheet: /FILTER/	
File: FILTER.sch	
<b>Title: Wintermute</b>	
Size: A4	Date: 2017-05-04
KiCad E.D.A. kicad 4.0.5	Rev: Id: 3/3