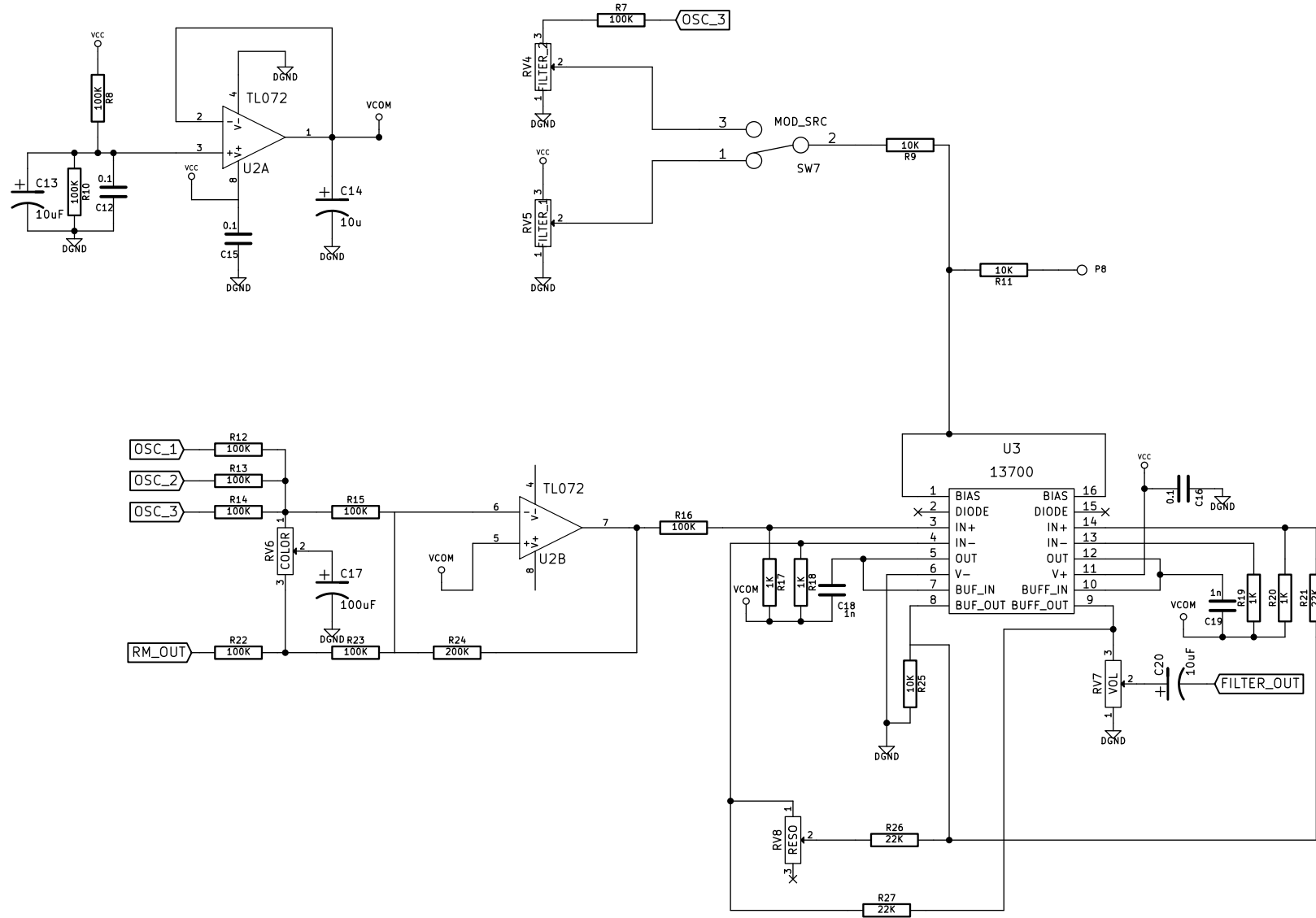


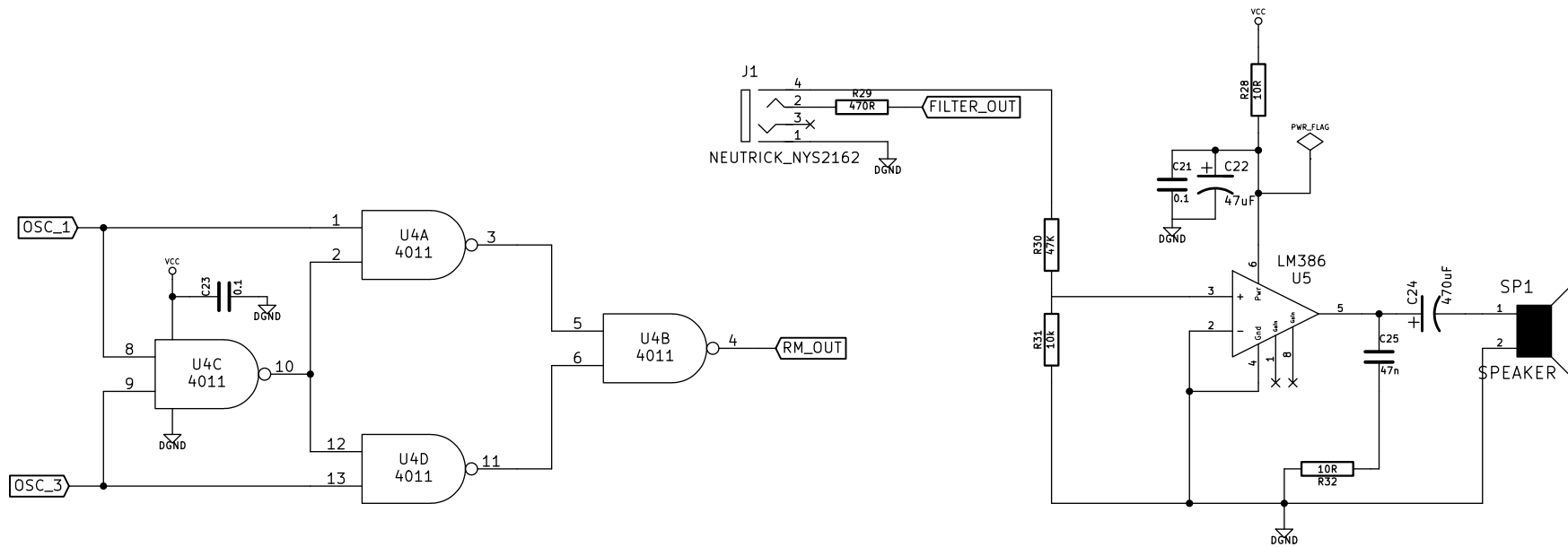
AMP_OUT
AMP_OUT.sch

FILTER
FILTER.sch

File: wintermute.sch	
Sheet: /	
Title:	
Size: A4	Date: 21 nov 2016
KiCad E.D.A.	Rev: 1/3



File: FILTER.sch	
Sheet: /FITLER/	
Title:	
Size: A4	Date: 21 nov 2016
KiCad E.D.A.	Rev: Id: 2/3



File: AMP_OUT.sch		
Sheet: /AMP_OUT/		
Title:		
Size: A4	Date: 21 nov 2016	Rev:
KiCad E.D.A.		Id: 3/3